



* All images are for illustrative purposes only.

Flexible Curvable Open Frame OLED Signage 55EF5G

Artistic Space beyond Display

LG OLED Signage



Stunning
Picture Quality



Space-fitting
Design



On-site
Customization



Synced
Playback



Blending in with the space while captivating everyone's mind. LG OLED signage offers flexible design. Beyond its informative features, LG OLED signage delivers unsurpassed advertising effectiveness, redesigning space as a prestige-enhancing landmark with perfect colors and innovative forms.



* All images are for illustrative purposes only.

STUNNING PICTURE QUALITY

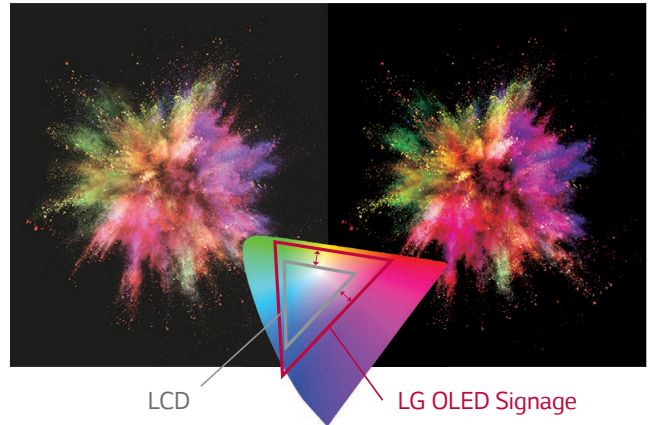


LCD

LG OLED Signage

Perfect Black

Equipped with over 8 million self-lighting pixels operating individually, LG OLED Signage reproduces perfect black with no light bleed and offers infinite contrast.



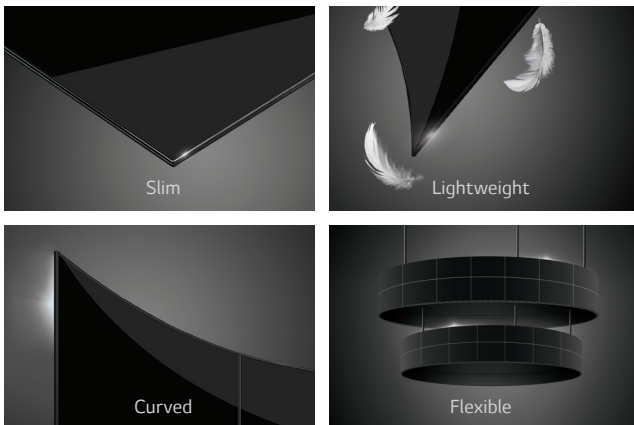
LCD

LG OLED Signage

Rich Color

LG OLED Signage provides richness in colors, bringing colors to life with jaw-dropping vividness.

DESIGNED FOR VIRTUALLY ANY INDOOR SPACE



The Essence of Custom Design

LG OLED technology doesn't require a backlight unit nor a liquid crystal layer so it offers a flexible design with unbelievably lightweight and slim features.



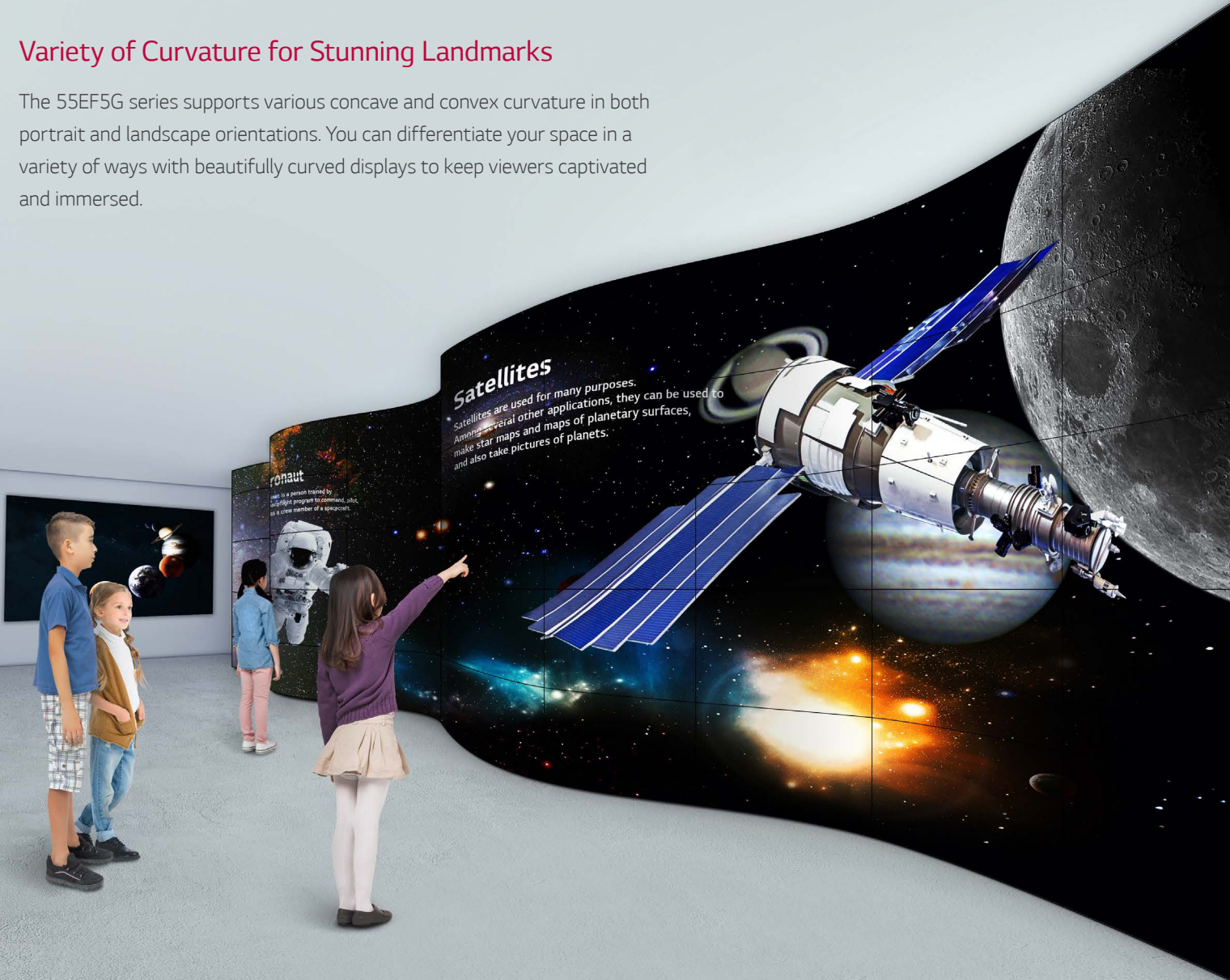
Expandable Screen Size

The overall display can be as large as users want by tiling displays both horizontally and vertically. This provides viewers with an incredibly immersive viewing experience.

DESIGN FLEXIBILITY

Variety of Curvature for Stunning Landmarks

The 55EF5G series supports various concave and convex curvature in both portrait and landscape orientations. You can differentiate your space in a variety of ways with beautifully curved displays to keep viewers captivated and immersed.

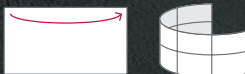


In Portrait



Max Curvature in Portrait
 • Concave/Convex: up to 1,000R

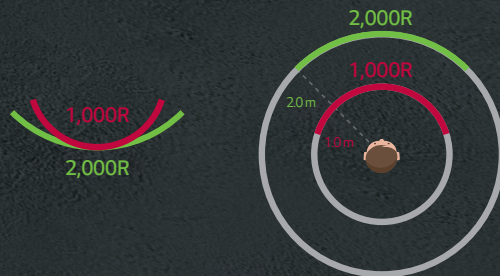
In Landscape



Max Curvature in Landscape
 • Concave/Convex: up to 1,000R

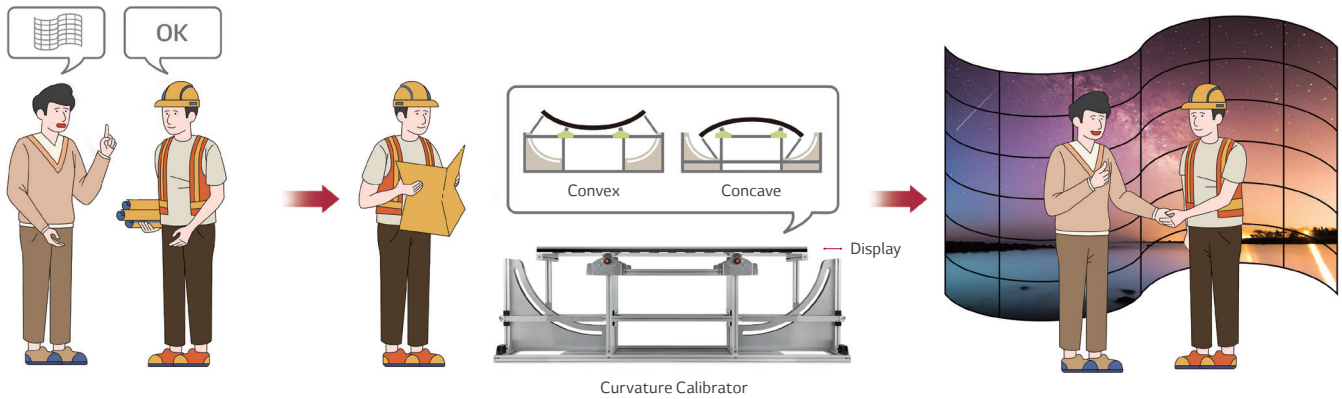
What is "R" with respect to curvature?

Due to the nature of its curved design; "R" signifies the radial length of a circle which allows for its curved display. For example, displays with a curvature of 1,000R will have a radius of 1m (1,000mm)



* All images and screen images are simulated for illustrative purposes only.

ULTIMATE DESIGN FLEXIBILITY



On-site Customization

The 55EF5G series enables a completely new approach for innovative and flexible designs. Its optional Curvature Calibrator* supports the coordination of displays with various convex and concave curvature, depending on the requirements. This makes it possible to rapidly respond to changes on-site, making it easier to successfully build an eye-catching landmark.

* A Curvature Calibrator needs to be purchased separately. Please contact your LG sales representatives for details.

JAW-DROPPING VIDEO WALLS



LAN Daisy Chain Management

The LAN daisy chain allows users to control and monitor displays, transmit data and even update firmware all at once, reducing management burden.

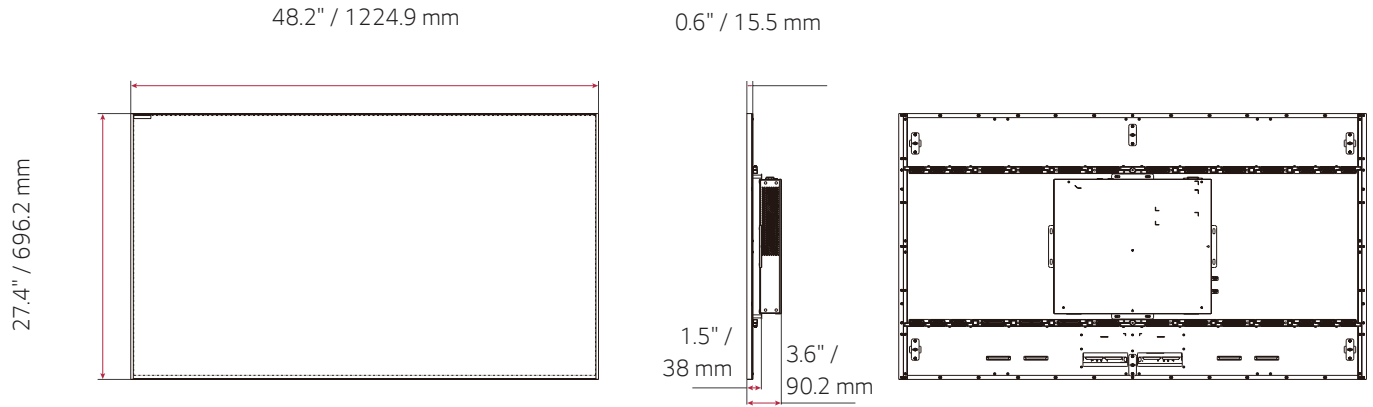
Video Wall Playlist & Sync Playback

Through its built-in high performance system-on-chip, each display plays its video tile for synchronized content playback.

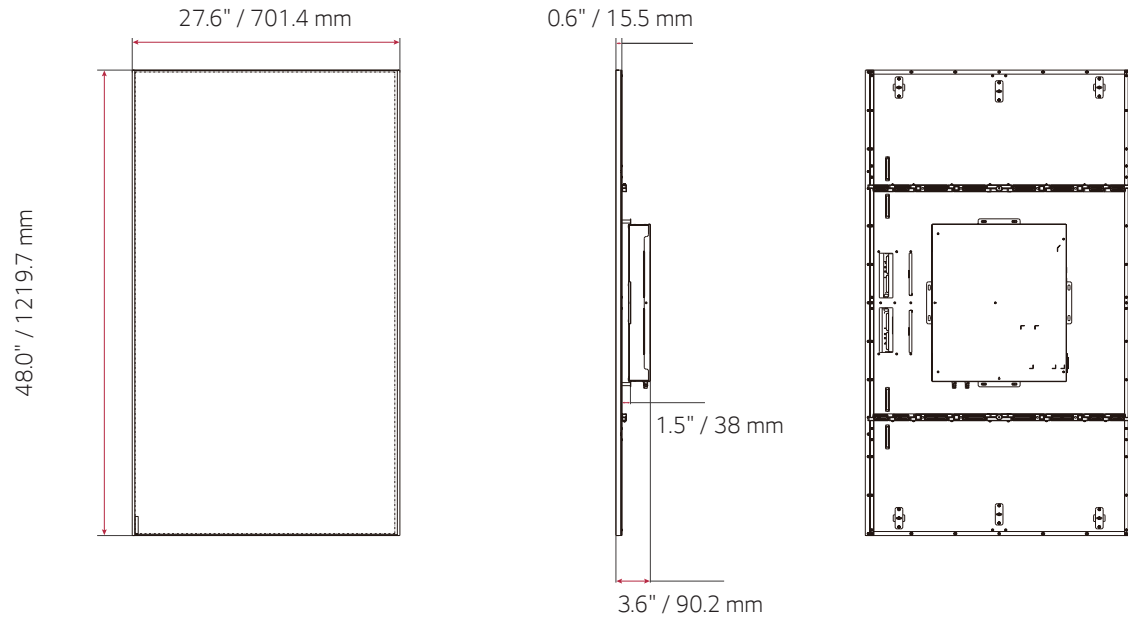
* All images and screen images are simulated for illustrative purposes only.

DIMENSIONS

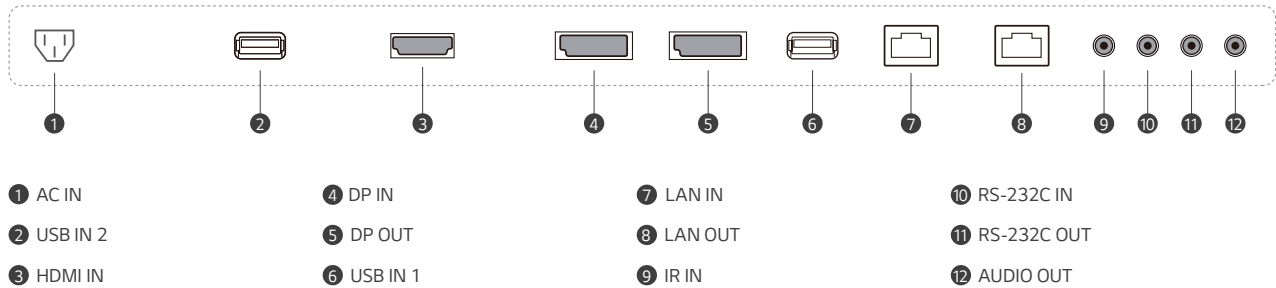
Landscape



Portrait



CONNECTIVITY



* Dimensions & Jack Panels may differ from the above image, so please contact LG sales team to verify before ordering.

SPECIFICATIONS

	MODEL	55EF5G
PANEL	Screen Size	55"
	Panel Technology	OLED
	Aspect Ratio	16:9
	Native Resolution	1920x1080 (Full HD)
	Refresh Rate	120 Hz
	Brightness	400 nits
	Contrast Ratio	150,000:1
	Color gamut	BT709 120%
	Viewing Angle(H x V)	178° x 178°
	Color Depth	1.07 Billion colors
	Response Time (G to G)	1 ms
	Surface Treatment (Haze)	Hard coating (2H)
	Lifetime (Typ.)	30,000 Hrs
	Operation Hours (Hours/Day)	18/7 (Non-Static Content Only)
CONNECTIVITY	Portrait / Landscape	Yes / Yes
	HDMI	Yes (1), HDCP1.4
	DP	Yes (1), HDCP1.3
	RS232C In	Yes (1)
	RJ45(LAN)	Yes (1)
	IR In	Yes (1), External IR Receiver
	USB In	USB 2.0 Type A(2)
	DP Out	Yes (1)
	Audio Out	Yes (1)
	RS232C OUT	Yes (1) (w/ IR out)
MECHANICAL	RJ45(LAN)	Yes (1)
	Bezel Color	Black
	Bezel Width - Off Bezel (T/R/L/B):	0.6 / 6.7 / 6.7 / 0.6 mm (Landscape Model), 0.6 / 6.7 / 6.7 / 0.6 mm (Portrait Model)
	Bezel Width - On Bezel (T/R/L/B):	5.0 / 7.6 / 7.6 / 10.6 mm (Landscape Model), 5.0 / 13.2 / 7.8 / 5.0 mm (Portrait Model)
	Weight - Screen	12.8 lbs / 5.8 kg (Landscape Model), 15.4 lbs / 7.0 kg (Portrait Model)
	Weight - Signage box	7.7 lbs, 3.5 kg
	Shipping Weight	37.5 lbs / 17.0 kg (Landscape Model), 38.8 lbs / 17.6 kg (Portrait Model)
	Dimensions - Landscape Model with Pemnut (W x H x D)	48.2 x 27.4 x 1.5 in, 1224.9 x 696.2 x 38.0 mm
	Dimensions - Landscape Model without Pemnut (W x H x D)	48.2 x 27.4 x 0.5 in, 1224.9 x 696.2 x 12.4 mm
	Dimensions - Portrait Model with Pemnut (W x H x D)	27.6 x 48.0 x 1.5 in, 701.4 x 1219.7 x 38.0 mm
	Dimensions - Portrait Model without Pemnut (W x H x D)	27.6 x 48.0 x 0.5 in, 701.4 x 1219.7 x 12.4 mm
	Dimensions - Signage Box (W x H x D)**	16.3 x 13.9 x 2.3 in, 413 x 353 x 57.3 mm
	Shipping Dimensions (W x H x D)	53.5 x 33.1 x 9.9 in, 1360 x 842 x 252 mm
	VESA™ Standard Mount Interface	No
	Built-in Speakers	No
	KEY FEATURES	Operation Temperature
Operation Humidity		10% to 80%
Internal Memory		16GB
Built-in Wi-Fi		X
Temperature Sensor		O
webOS ver.		webOS 4.0
Local Contents Scheduling		Yes
Group Manager		Yes
USB Plug & Play		Yes
Fail over		Yes
RS-232C Sync		Yes
Local Network Sync		Yes
Video Tag		Yes (4)
Screen Rotation		Yes
External Input Rotation		Yes
Gapless Playback		Yes
Tile Mode Setting		Yes
Setting Data Cloning		Yes
SNMP		Yes
ISM Method		Yes
Auto Set ID		Yes
Status Mailing		Yes
Control Manager		Yes
Creston Inside		Yes
PM mode		Yes
Wake on LAN		Yes
HDMI-CEC		Yes
SI Server Setting		Yes
Prodiom DRM	Yes	
POWER	Power Supply	100-240 Vac, 50/60Hz
	Power Type	Built-In Power
	Typ. Power Consumption	309 W
	Max. Power Consumption	318 W
	DPM	3 W
	Power off	0.5W
LG SOFTWARE & SERVICES*	SuperSign CMS	Yes (v3.0)
	SuperSign Control / Control+	Yes (v1.7 / v1.9)
	SuperSign White Balance	Yes (v3.7.15)
	SuperSign Media Editor	Yes (v3.7)
	LG ConnectedCare	Yes (v2.9)
WARRANTY & OTHER	Warranty	3 Year Limited
	FCC (Regulatory)	Class "A"
	CE (Regulatory)	Yes
	IEC/EN/UL 60950-1 (EMC)	Yes
	ErP (Environmental)	Yes
Basic Accessories	Remote Control (battery 2ea), Power Cord, QSG, IR receiver, Regulation Book, Phone to RS232C Gender, DP Cable (2m), LAN Cable (2m), RS232 Cable (4P-4P1.5m), LC Cable (VLC, 3m), Tape (4ea for Cabling), Screws (M3xL4.5, 3.0ea / M3xL5.5, 5.0ea / M3x3.5, 1.0ea), Shield Cover Assembly, Tiling Set Fixer 6ea, Flex Bar 2ea	

* Available for an additional fee

